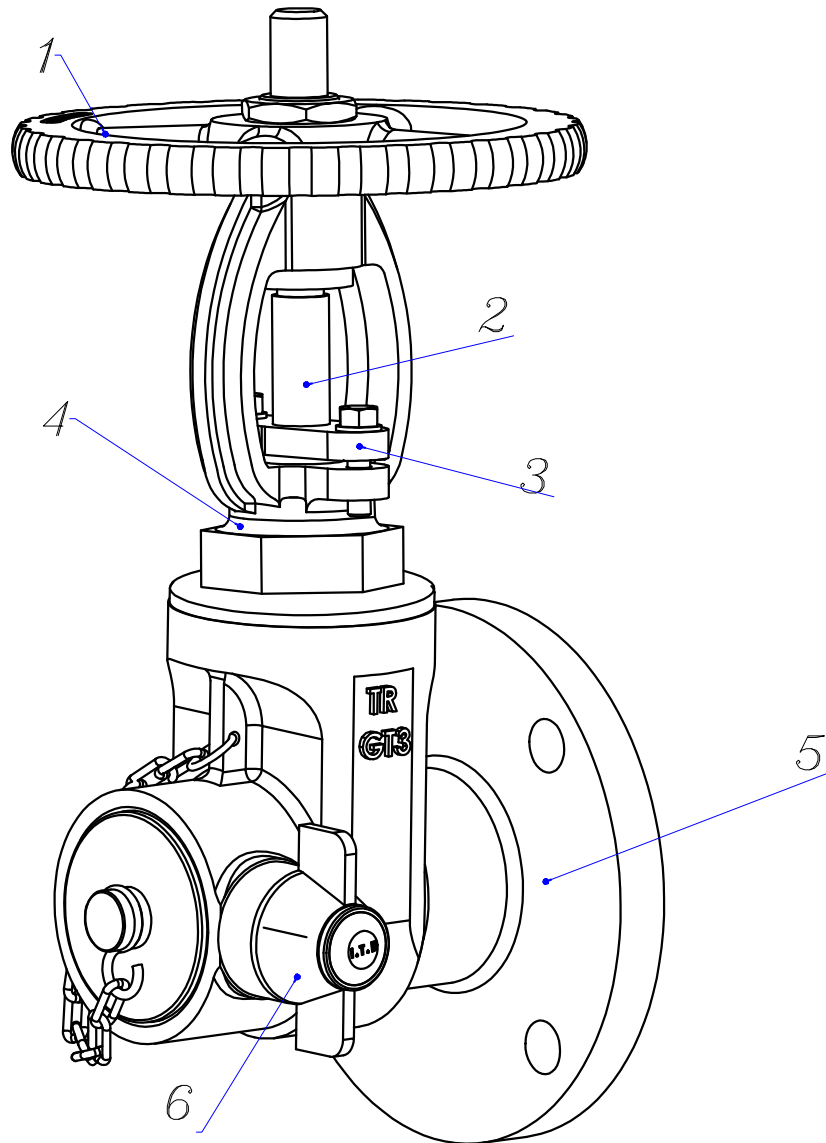




# GATE VALVE MODEL: TR-GT5



No.	PART NAME	MATERIAL
1	HANDWHEEL	D.CAST IRON
2	STEM	S.STEEL
3	GLAND	GUNMETAL
4	YOKE	GUNMETAL
5	BODY	GUNMETAL
6	RELEASE PLUNGER	BRASS

INLET CONNECTION : 2 1/2"

Test Pressure : 21 Bar

NOTE: GATE VALVE MODEL: TR-GT6					 <b>I.T.E.</b>
Date	Design	Drawn	Checked	REV.	
92/05/25	M. Esmaili	ASHRAFI		1	 TOL: DIN-7168m Size: A4 Scale:
83/08/20	E. Karvand	ASHRAFI		0	
Part Name: <b>TOTAL</b>		Drawing No: <b>GT6-001</b>			Sheet: 1 of 1
Material: <b>AS ABOVE CHART</b>		PROJECT:			QTY.